

The Slice Family

Illuminate your space with precision Slices of glare free light. The Slice family offers linear 1" and 2" wide profiles in recessed and below ceiling options. The 2" recessed delivers over 1100 lumens per foot with a modular design allowing continuous light of 2" square cells to your specified length. The unobtrusive fixture features ultra-low glare values (UGR) ≥ 13 . Offered in flanged or flangeless, multiple CCTs, 2 outputs and 3 beam options, the slice 2" delivers.

PROJECT:

TYPE:

SPECIFIER:

DATE:

Key Points (SL2DC-MCRC)

Trim

- Flange or Flangeless
- 2" cells arrayed in 6 cell increments up to your specified length
- 14 available trim flange finishes+ custom/RAL available

Source / Optics

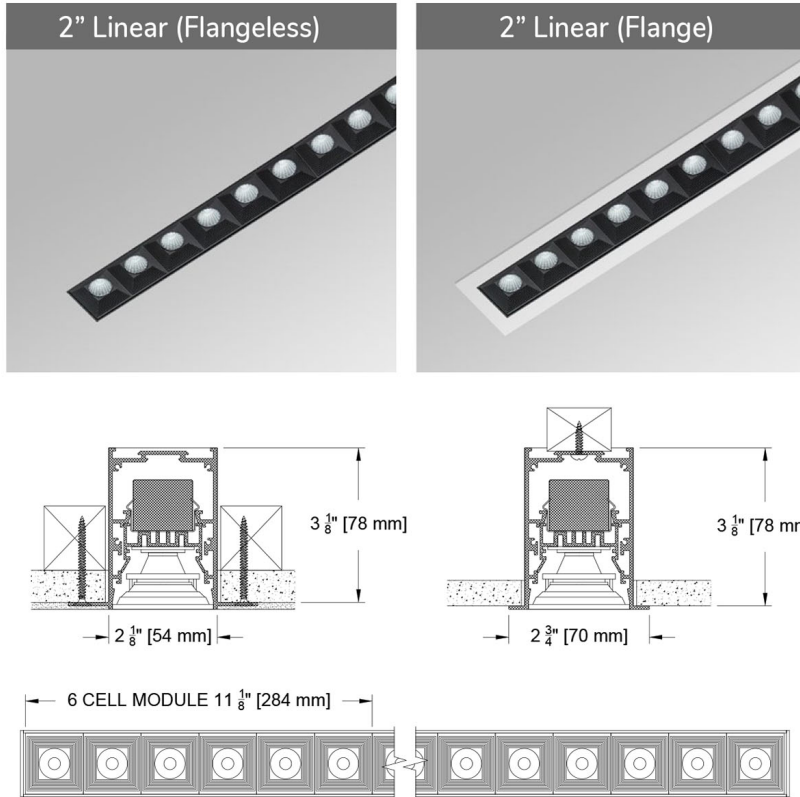
- Up to 1126 Lumens/foot
- 3 beam spreads - 15°, 30° and 45°
- 70+ lumens per watt/foot
- Ultra low glare with UGR values <13
- <3 MacAdam Steps (<3 SDCM)
- CCT offerings - 2700k, 3000k, 3500k
- 90+ CRI and 60+ R9
- Supports CA Title 24 part 6 compliance meeting JA8 requirements

Housing

- Lengths longer than 8' are assembled in the field with supplied joiners
- Profile allows continuous light from 6 cells to your desired length in 6 cell increments.
- Damp listed
- IC/Airtight supporting CA Title 24 part 6 compliance to JA8 requirements

Driver And Control

- Integral driver for selections greater than 6 cells
- 0.1% dimming available in 0-10 or DALI-2 protocols
- Flicker Free to IEEE 1789-2015 (low risk to no risk)
- Universal 120v to 277v



Lumens and Length per 6 Cell Module											
2" Slice		Length		Flux and Power (SO8)				Flux and Power (SO15)			
Modules	Cells	English (in)	Metric (mm)	Delivered Lm			System Watts	Delivered Lm			System Watts
				15°	30°	45°		15°	30°	45°	
1	6	11 3/8	289	629	603	608	8	1062	1065	1072	15
2	12	22 5/8	573	1258	1206	1216	14	2124	2130	2144	27
3	18	33 3/4	858	1887	1809	1824	20	3186	3195	3216	39
4	24	45	1142	2516	2412	2432	25	4248	4260	4288	50
5	30	56 1/8	1427	3145	3015	3040	31	5310	5325	5360	62
6	36	67 3/8	1711	3774	3618	3648	37	6372	6390	6432	77
7	42	78 5/8	1995	4403	4221	4256	43	7434	7455	7504	89
8	48	89 3/4	2280	5032	4824	4864	49	8496	8520	8576	101

Refer to Photometric page for lumens/ft values

Slice 2" Continuous Linear Multicell Downlight (54mm)


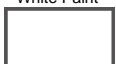



Recessed linear fixture

Ordering Codes

PROJECT: _____ SPECIFIER: _____

DATE: _____ TYPE: _____ QUANTITY: _____

Ordering Code Example: SL2DC-MCRC-AF-18-SO15-30-45-SY1-P16

FIXTURE	MOUNTING	CELLS	SOURCE / WATTS	CCT	BEAM	DRIVER / CONTROL	TRIM FINISH	ACCESSORIES
SL2DC-MCRC								
Slice 2" Continuous Linear Recessed Multicell Downlight	Flanged Housings	6 11 3/8" (289mm)*	SO8 ●● 8W/ft 661Lm/ft* 90+CRI, 50+R9 Specialty Board	27 2700K	15 Spot	SY1 0-10 1.0%, UNV (120-277V) linear	Standard B Black Paint 	CP Chicago Plenum
	AF ●● Flanged* IC/Airtight	12 22 3/8" (573mm)		30 3000K	30 Narrow Flood	SY2 0-10 1.0%, UNV (120-277V) log	Optional W White Paint 	
	Flangeless Housings	18 33 3/4" (858mm)	SO15 ●● 16W/ft 1116Lm/ft* 90+CRI, 50+R9 Specialty Board	35 3500K	45 Flood	E1 0-10 0.1%, UNV (120-277V) log		
	AP ●● Airtight Plaster IC-Rated	24 45" (1142mm)				E2 DALI-2 0.1%, UNV (120-277V) log		
	*Must select a Trim Finish	30 56 1/8" (1427mm)	*Extrapolated from 6 cell (11.375")15" module. Refer to photometric table for more exact power and lumen data			E3 0-10 0.1%, UNV (120-277V) linear	PXX Specialty Paint Color* 	
	●● Supports CA T24 part 6 compliance meeting JA8 Requirements	36 67 3/8" (1711mm)	●● Supports CA T24 part 6 compliance meeting JA8 requirements			Note: Integral driver except for 6 cell selection requiring alternative remote driver.	C Custom/RAL Color* 	
		42 78 5/8" (1995mm)					Note: Baffle is black only	
		48 89 3/4" (2280mm)					Note: Use for Flanged Mounting code "AF" only	
		-- specify total # of cells in 6 cell increments if over 48 cells^					*See Finish Guide	
		^Lengths over 8' will be assembled in the field with with supplied joiners *Remote driver required						

Fixture Lengths

Standard lengths are shown below. Longer continuous runs are available. Simply specify the total number of cells, in 6 cell increments, for lengths longer than 48 cells.

SL2DC-MCRC- Cell Option Housing Lengths

6-48

(SL2DC-MCRC)

1 MODULE
6 CELLS



REMOTE DRIVER REQUIRED

2 MODULES
12 CELLS



3 MODULES
18 CELLS



4 MODULES
24 CELLS



5 MODULES
30 CELLS



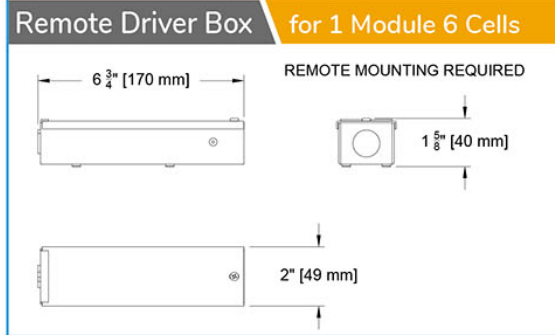
6 MODULES
36 CELLS



7 MODULES
42 CELLS



8 MODULES
48 CELLS



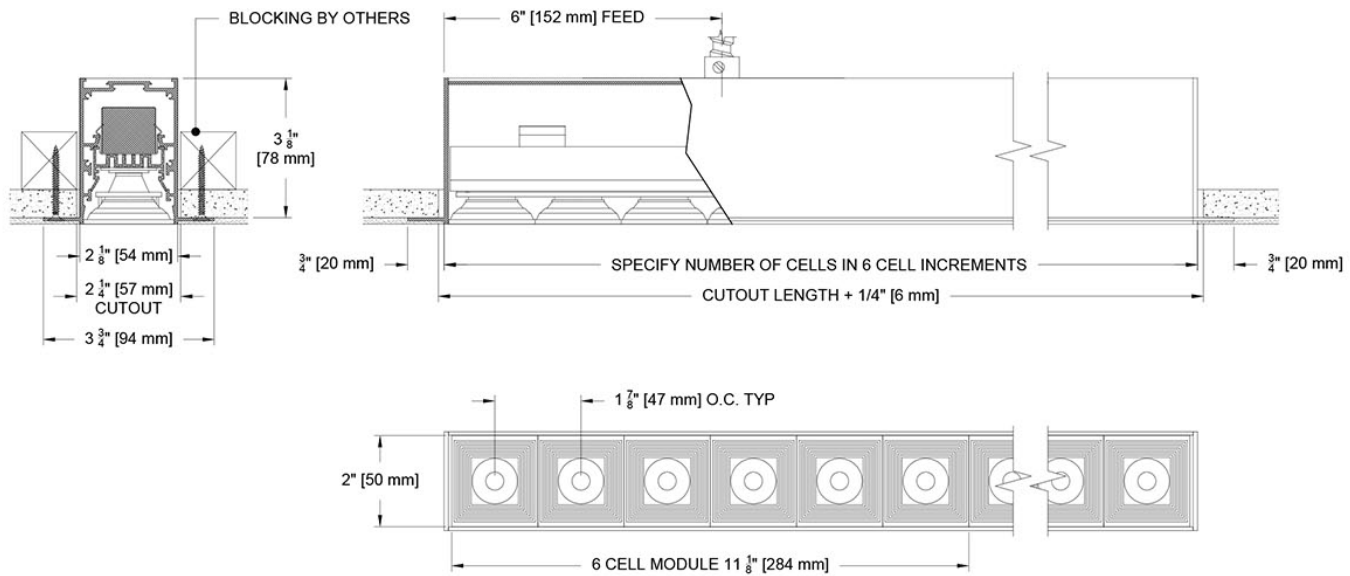
Ceiling Cutouts and Dimensions

For lengths over 48 cells a submittal drawing is required. Refer to "Length" values in tables or "Fixture Length" page for "Cutout Length" dimension.

SL2DC- Recessed Flangeless Mount

AP

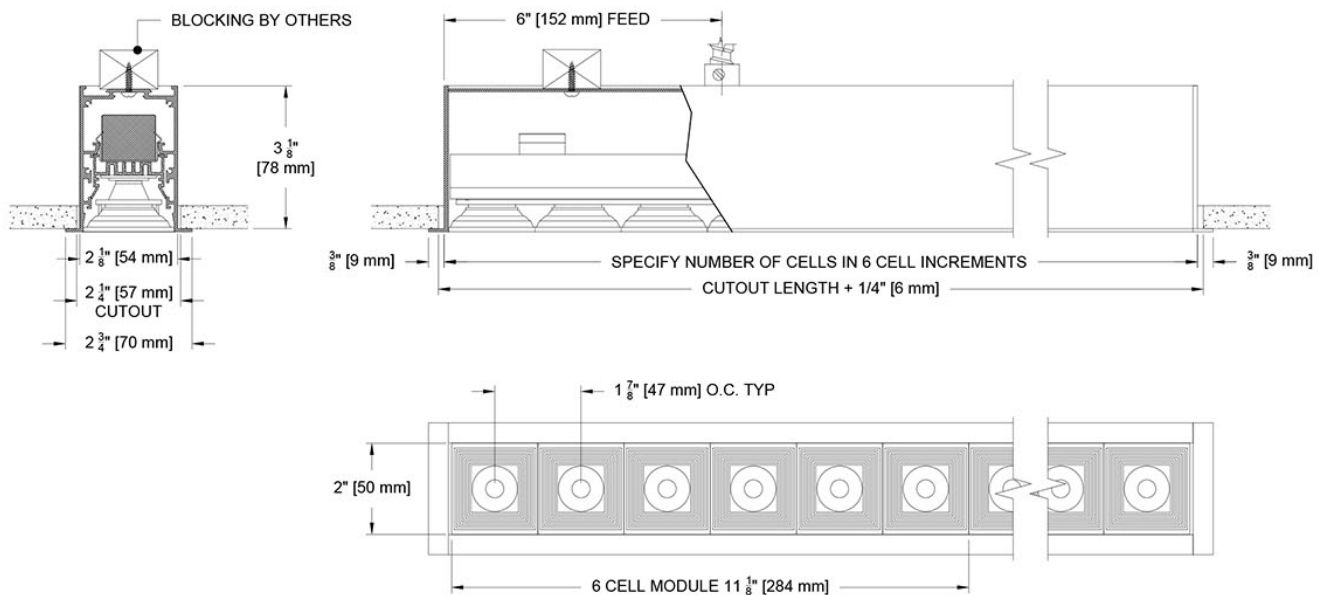
(SL2DC-MCRC-AP-)



SL2DC- Recessed Flange Mount

AF

(SL2DC-MCRC-AF-)



Photometric Table

Values are delivered lumens based on a 6-cell module at 11.125" (284mm) and extrapolated for per foot numbers. CAUTION: IES FILES ARE FOR A 6 CELL MODULE. CALCULATIONS MUST PLACE THE 6 CELL MODULE FILE 11.125" (284mm) ON CENTER FOR THE ENTIRE SPECIFIED LENGTH OF FIXTURE. All data is based on goniometer measurements of production representative product. Measurements are taken at 3000 CCT with a black baffle and can vary +/- 10% from LED manufacturer rated flux range.

Lumens per Foot Photometrics													
Multi-Cell Beamspreads		15°				30°				45°			
Source	System watts (W)	Delivered Lumens (lm/ft)	Lumens/ Watt/ft	Peak (cd)	10% Field	Delivered Lumens (lm/ft)	Lumens/ Watt/ft	Peak (cd)	10% Field	Delivered Lumens (lm/ft)	Lumens/ Watt/ft	Peak (cd)	10% Field
SO8	8	661	80	4287	42°	634	76	1893	59°	639	77	1170	69°
SO15	16	1116	70	7673	41°	1119	71	3362	59°	1126	71	2098	69°
CCT Multiplier		<p>Beam angle 15.6°</p>				<p>Beam angle 30.4°</p>				<p>Beam angle 44.5°</p>			
CCT	Citizen												
2700	0.95												
3000	1.00												
3500	1.05												
4000	1.1												
ISO CD plot based on SO8 source. UGR values are from 4H 3H row and based on per foot extrapolation.													

Lumens and Length per 6 Cell Module											
2" Slice		Length		Flux and Power (SO8)				Flux and Power (SO15)			
Modules	Cells	English (in)	Metric (mm)	Delivered Lm			System Watts	Delivered Lm			System Watts
				15°	30°	45°		15°	30°	45°	
1	6	11 3/8	289	629	603	608	8	1062	1065	1072	15
2	12	22 5/8	573	1258	1206	1216	14	2124	2130	2144	27
3	18	33 3/4	858	1887	1809	1824	20	3186	3195	3216	39
4	24	45	1142	2516	2412	2432	25	4248	4260	4288	50
5	30	56 1/8	1427	3145	3015	3040	31	5310	5325	5360	62
6	36	67 3/8	1711	3774	3618	3648	37	6372	6390	6432	77
7	42	78 5/8	1995	4403	4221	4256	43	7434	7455	7504	89
8	48	89 3/4	2280	5032	4824	4864	49	8496	8520	8576	101

Color Data

All data is based from goniometer measurements of production representative product. All lumen values can vary +/- 10% from LED manufacturer rated data range. Measurements at 3000 CCT unless otherwise noted.

Specialty Board - SO8 and SO15

- <3 MacAdam Ellipse (<3 SDCM)
- 90+ CRI and RF
- 50+R9, Hue Bin 1 and 16

93 CRI	62 R9
92 RF	100 RG

